



CONE CLIMBER 1800

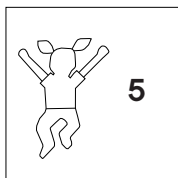
TAY- CC05-CC1800-00

EN1176-1:2017

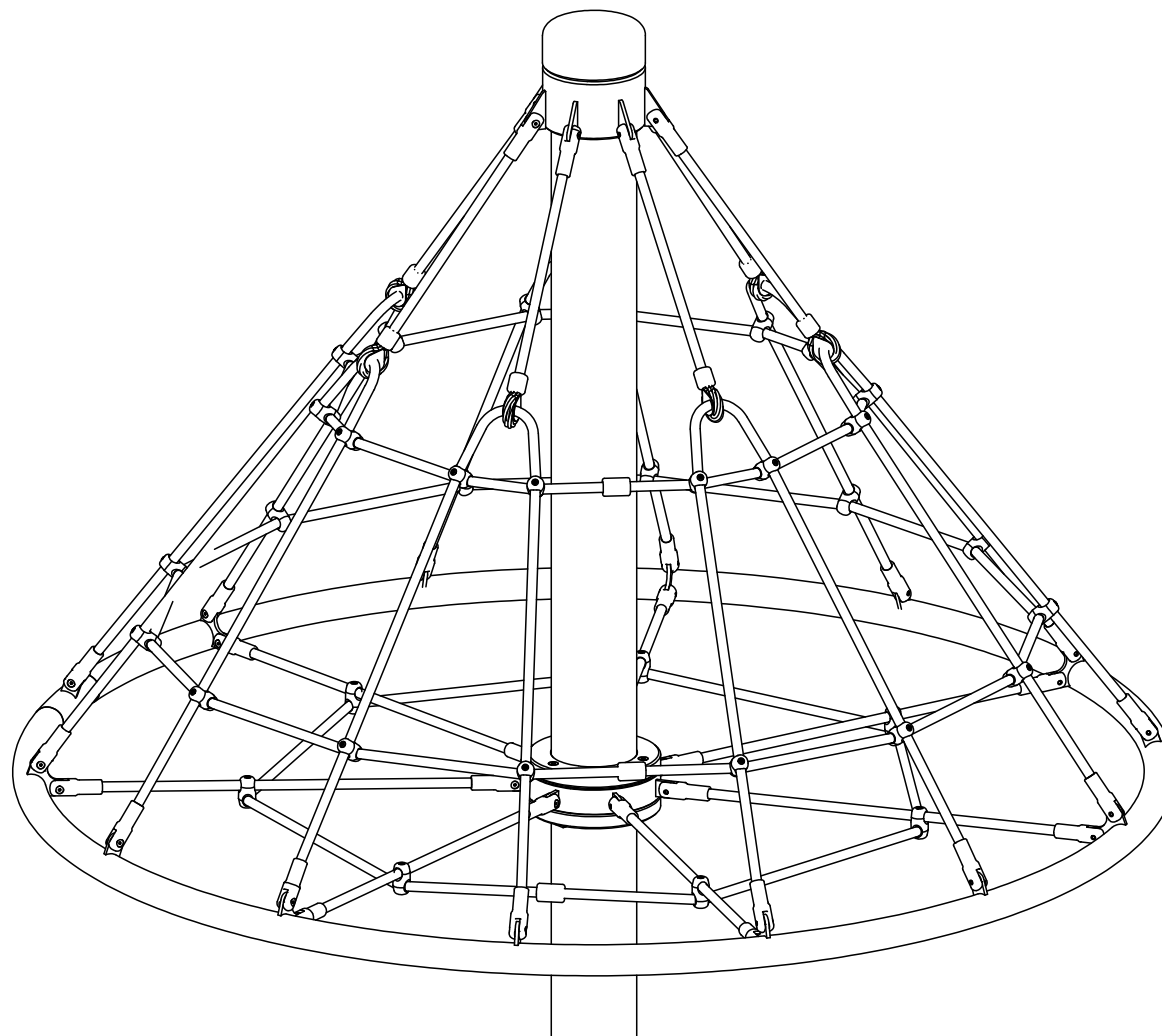
EN1176-11:2014












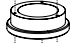



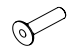
3+





Ø 5.9m




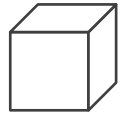



1		SW82252	8kg
1		SW82251	3kg
1		SW82061	12kg
1		SW82016	9kg
1		TAY-51212	
1		SW82043	29kg
1		M8x100 A2 CSK SCS	
1		SW81995	1kg
1		SW82026	3kg
1		SW81996	1kg
1		M8 A2 NYLOC	
35		SW82232	
35		SW82233	
35		M6x25 A2	


S6 
EN1176
 1100mm


S14 
m²
 27.3

S13 
m³
 0.5

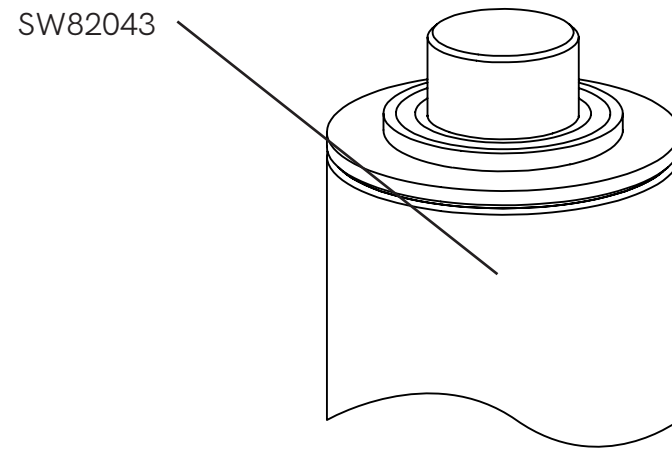
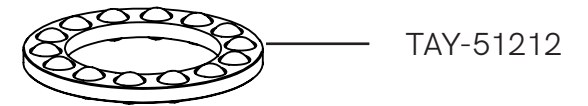
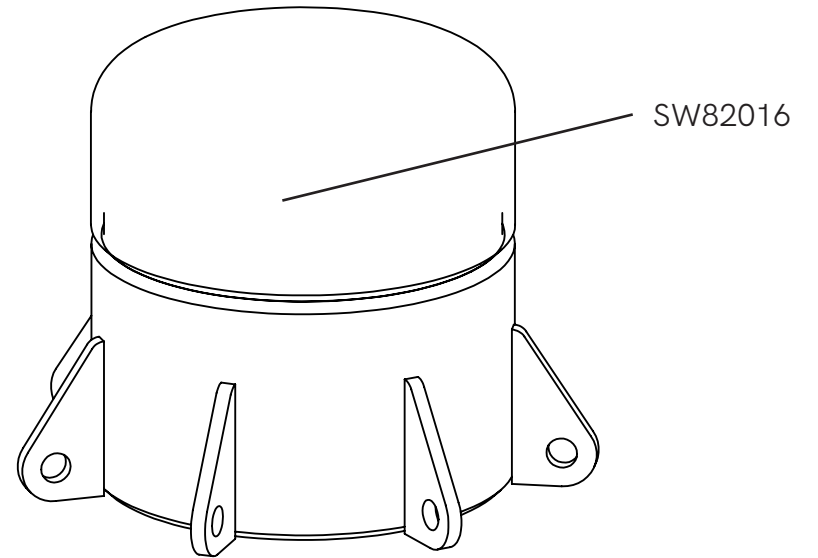
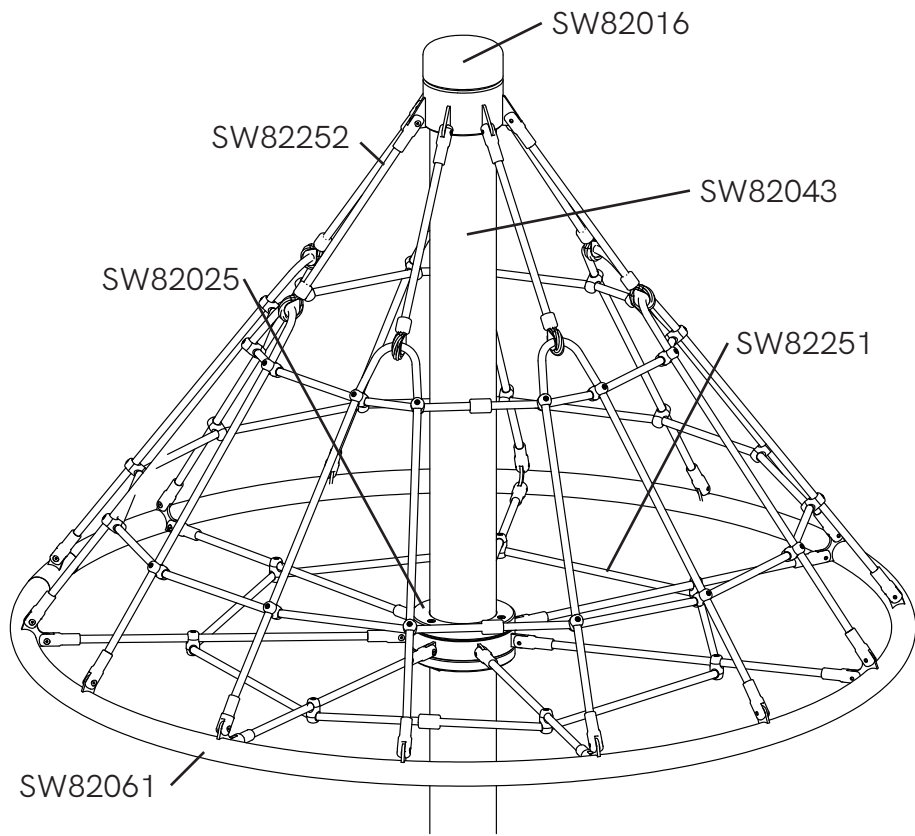
S15 
L x W x H (m)
 5.9 x 5.9 x 1.8

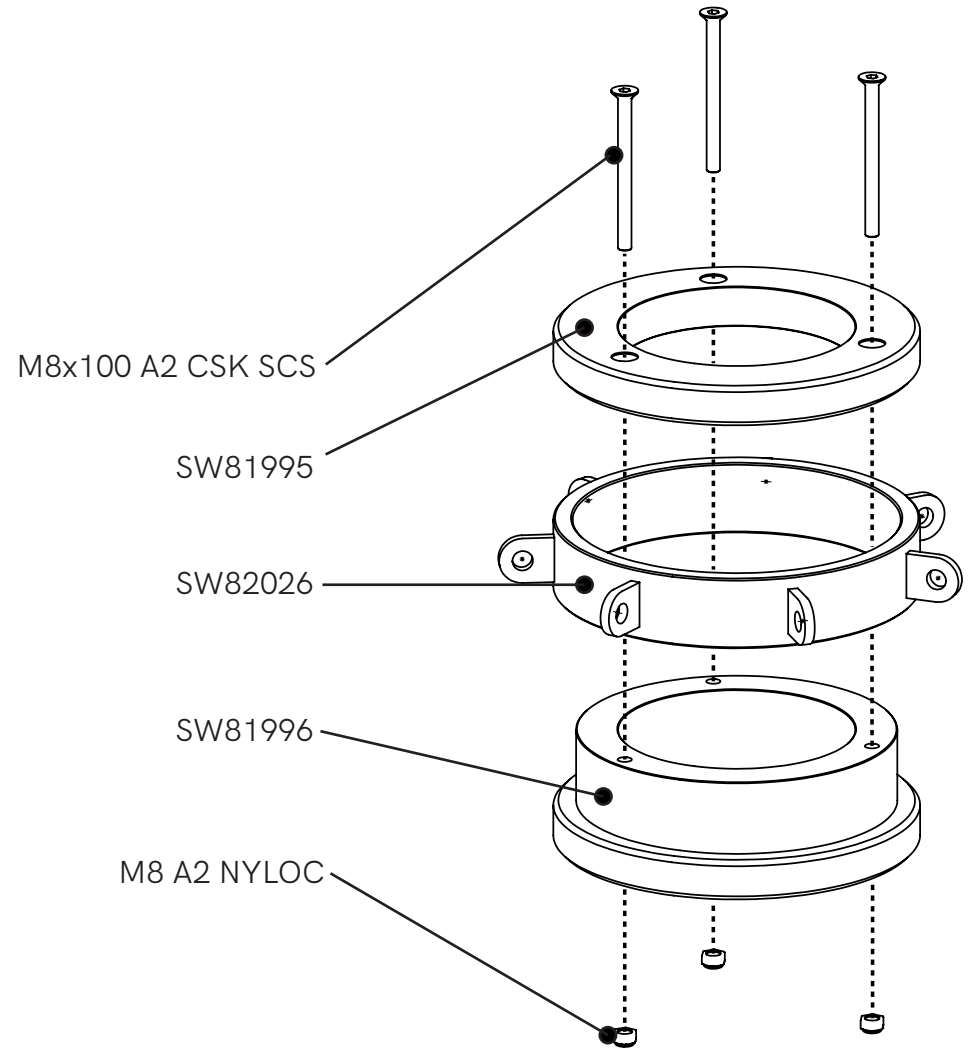
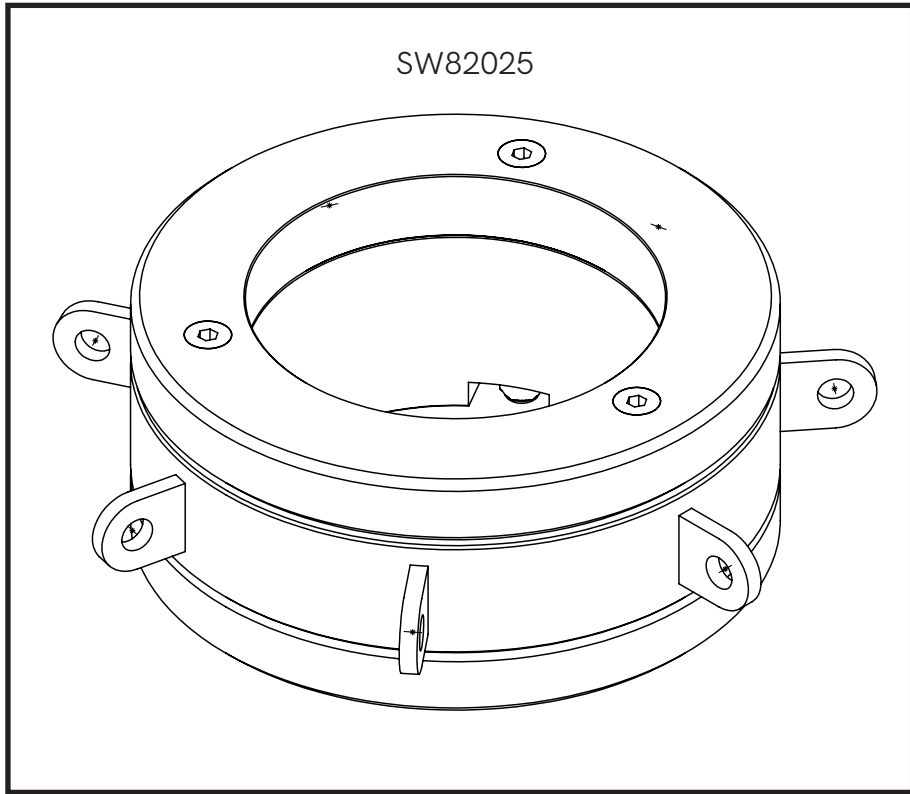
S23 
T30H

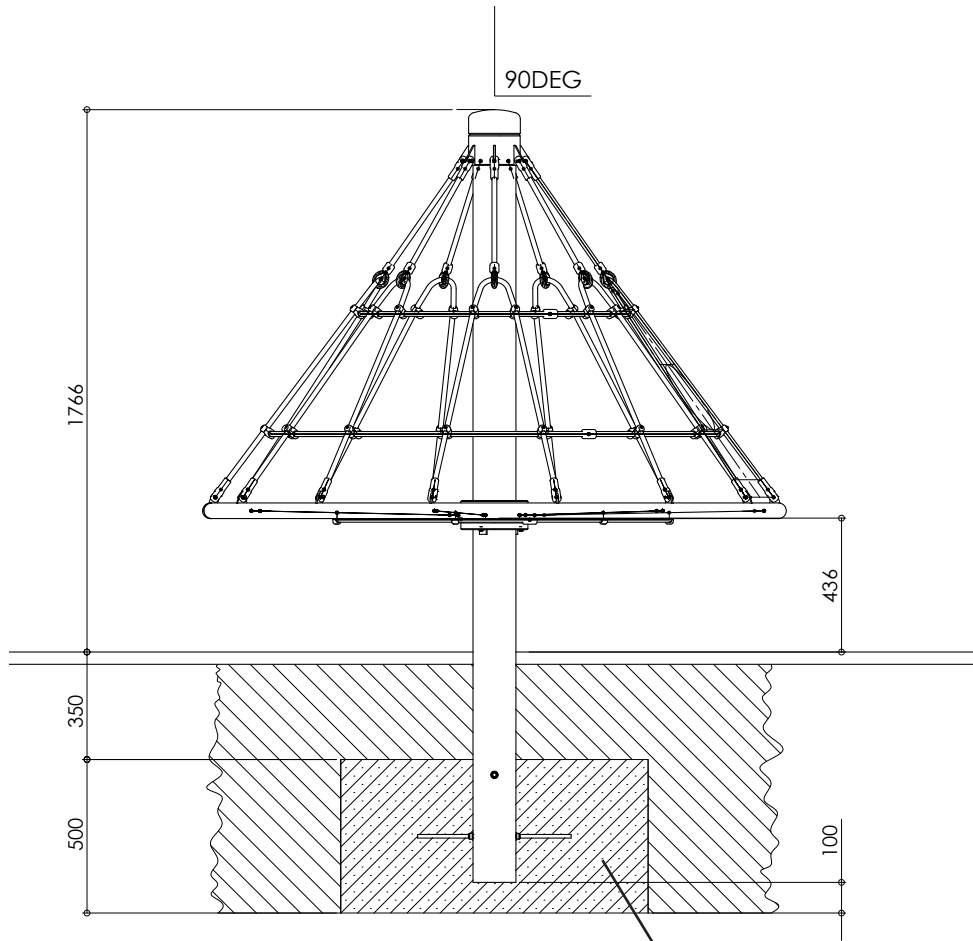
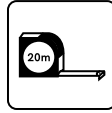
S20 
8 X 24

S12 
kg
 66kg

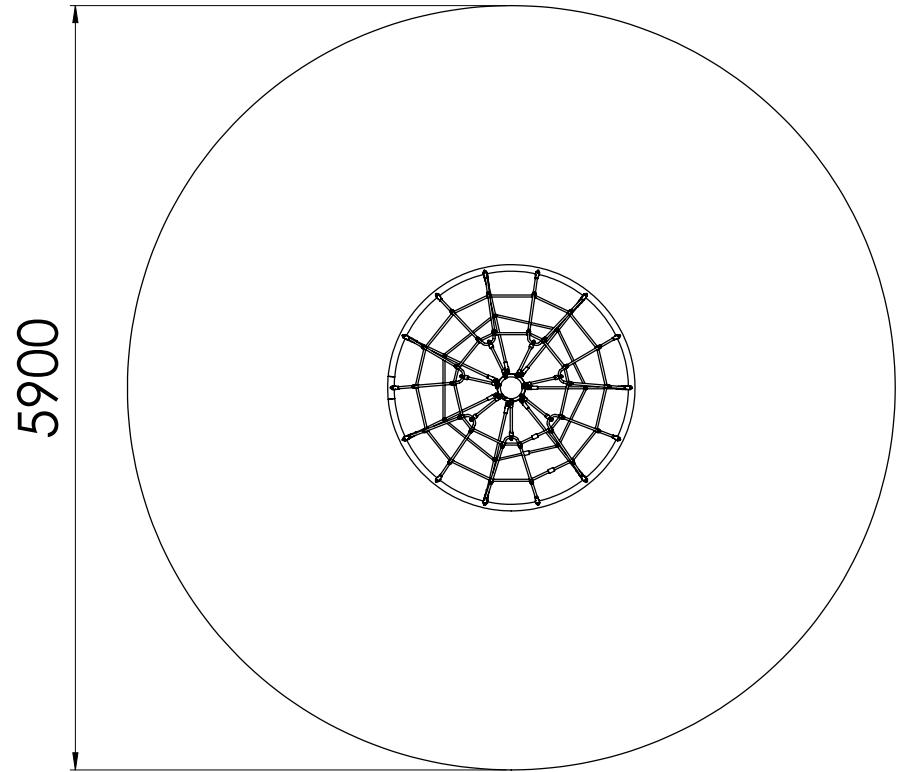




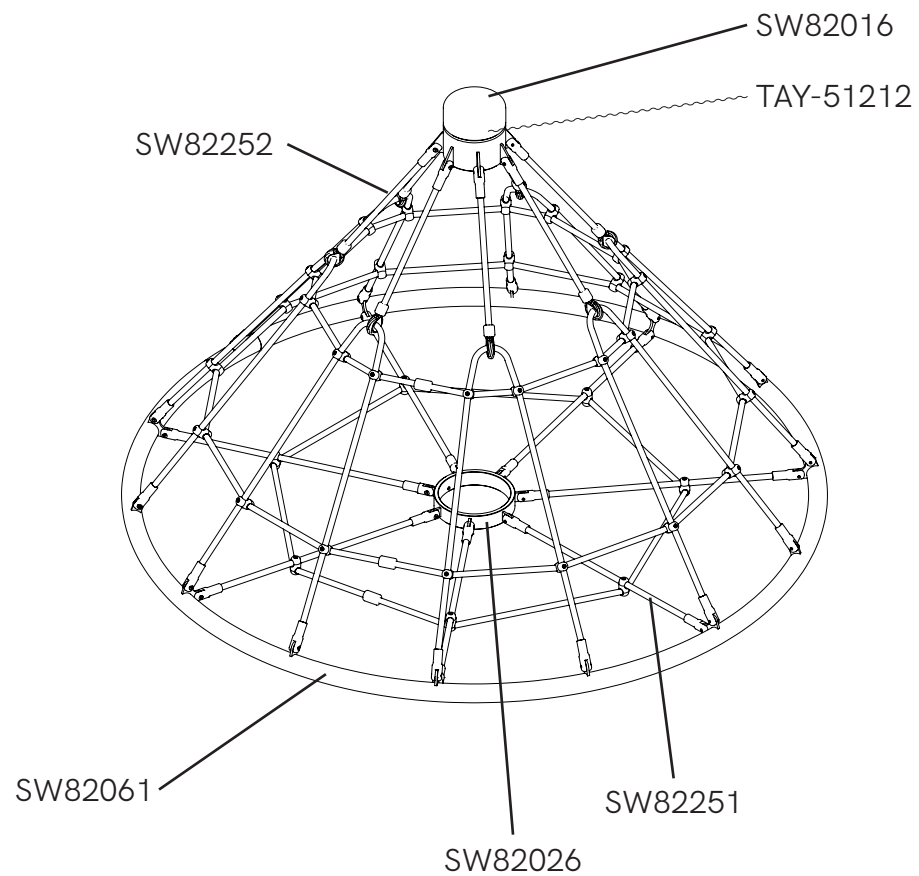
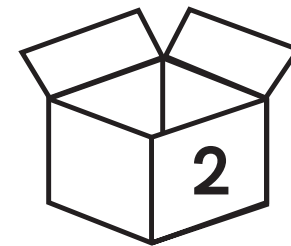
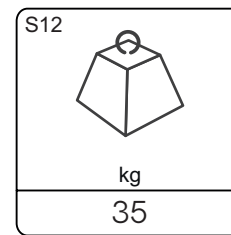
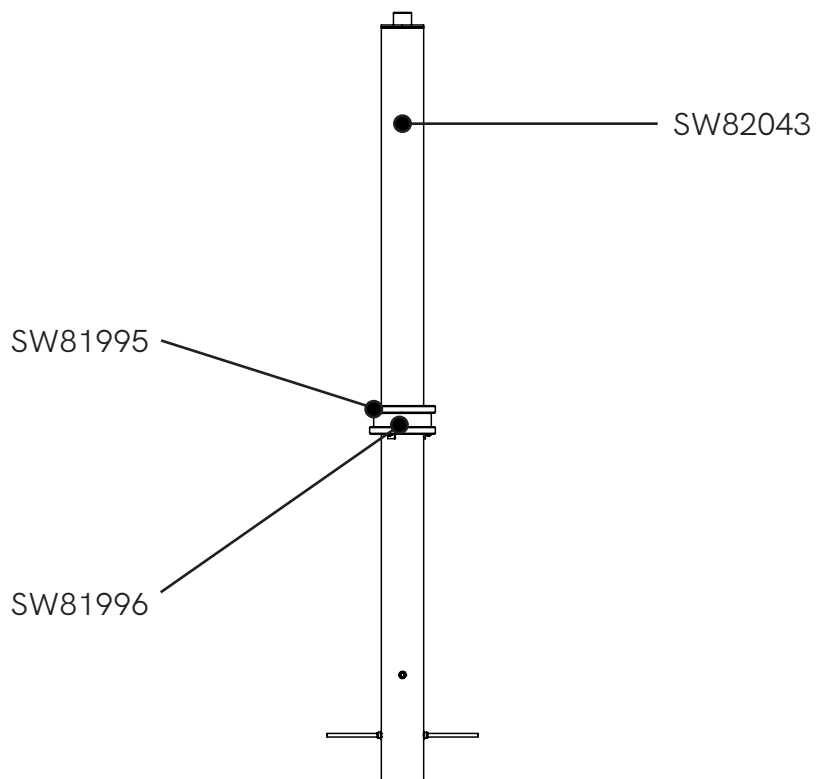
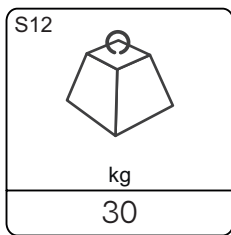
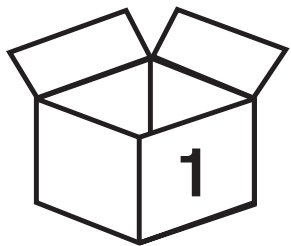


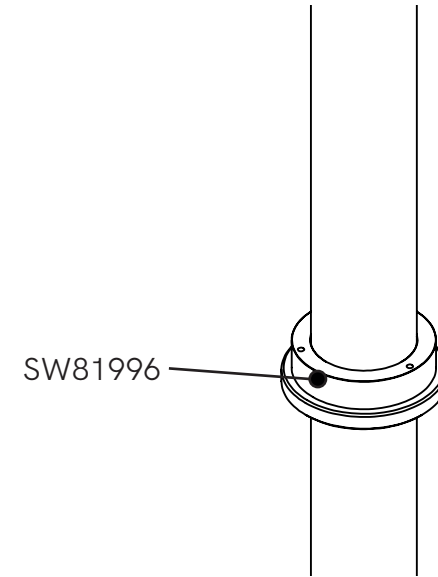
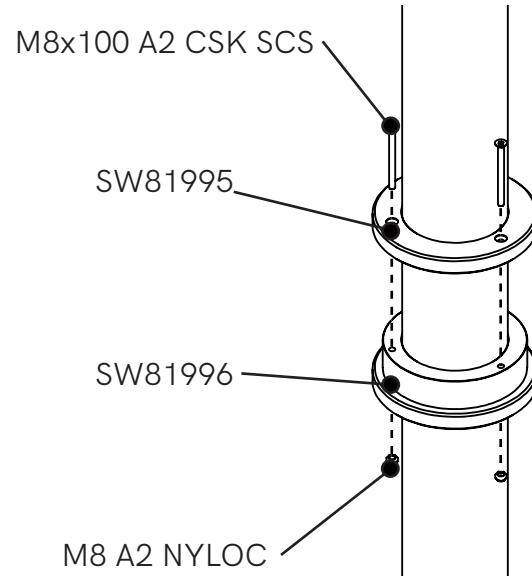
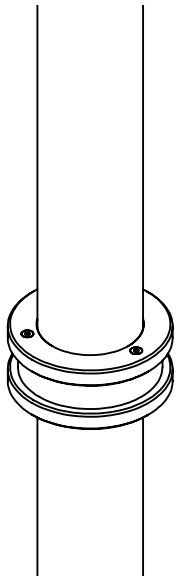
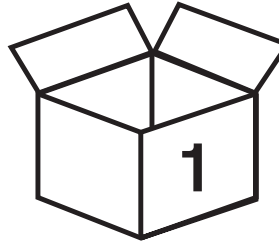
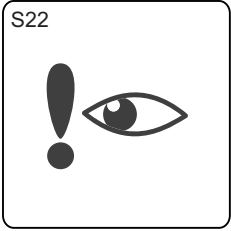


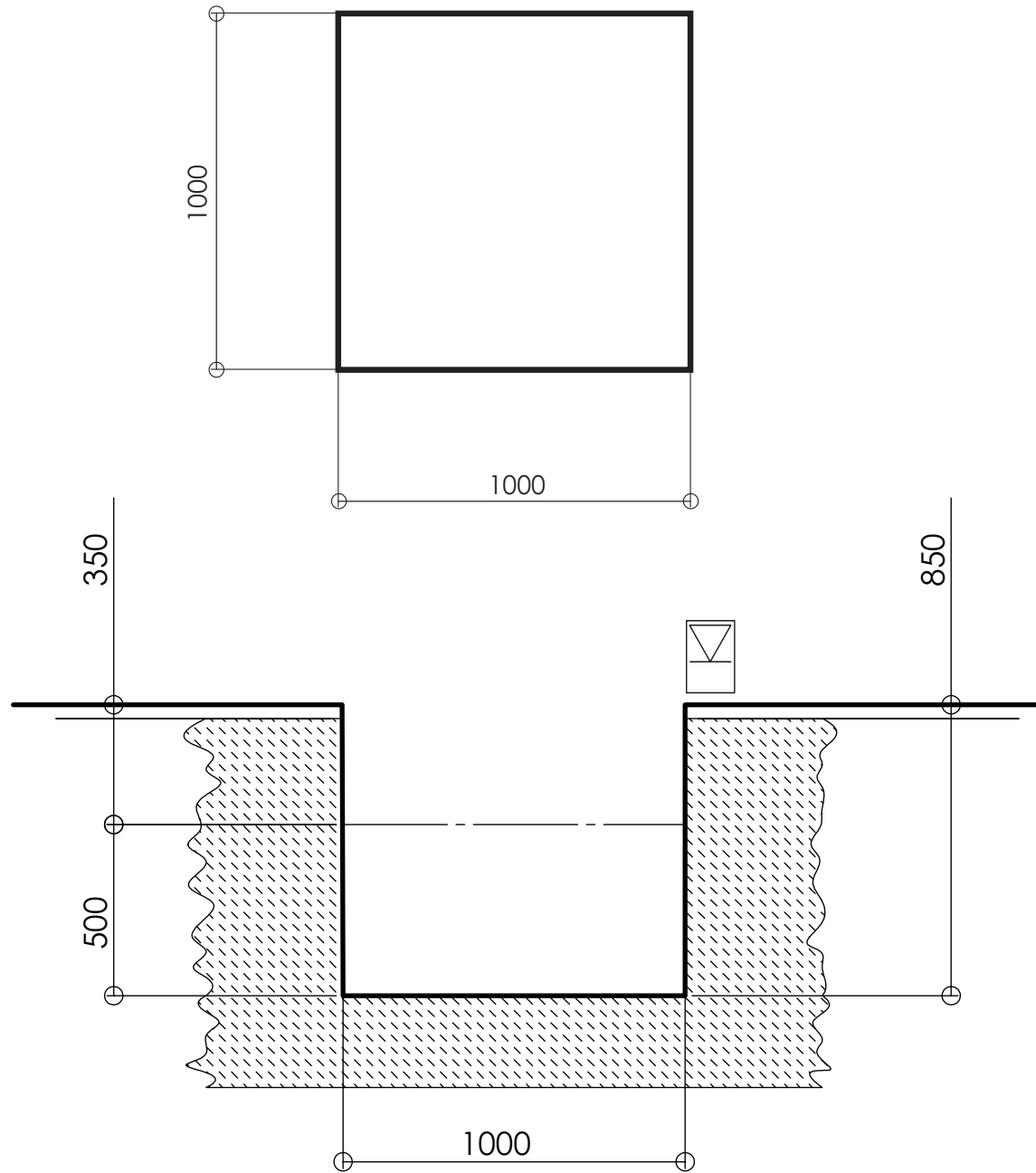
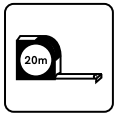
0.5m³
30N/mm²

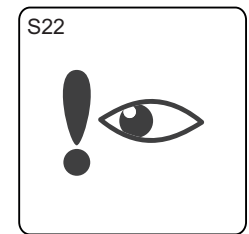
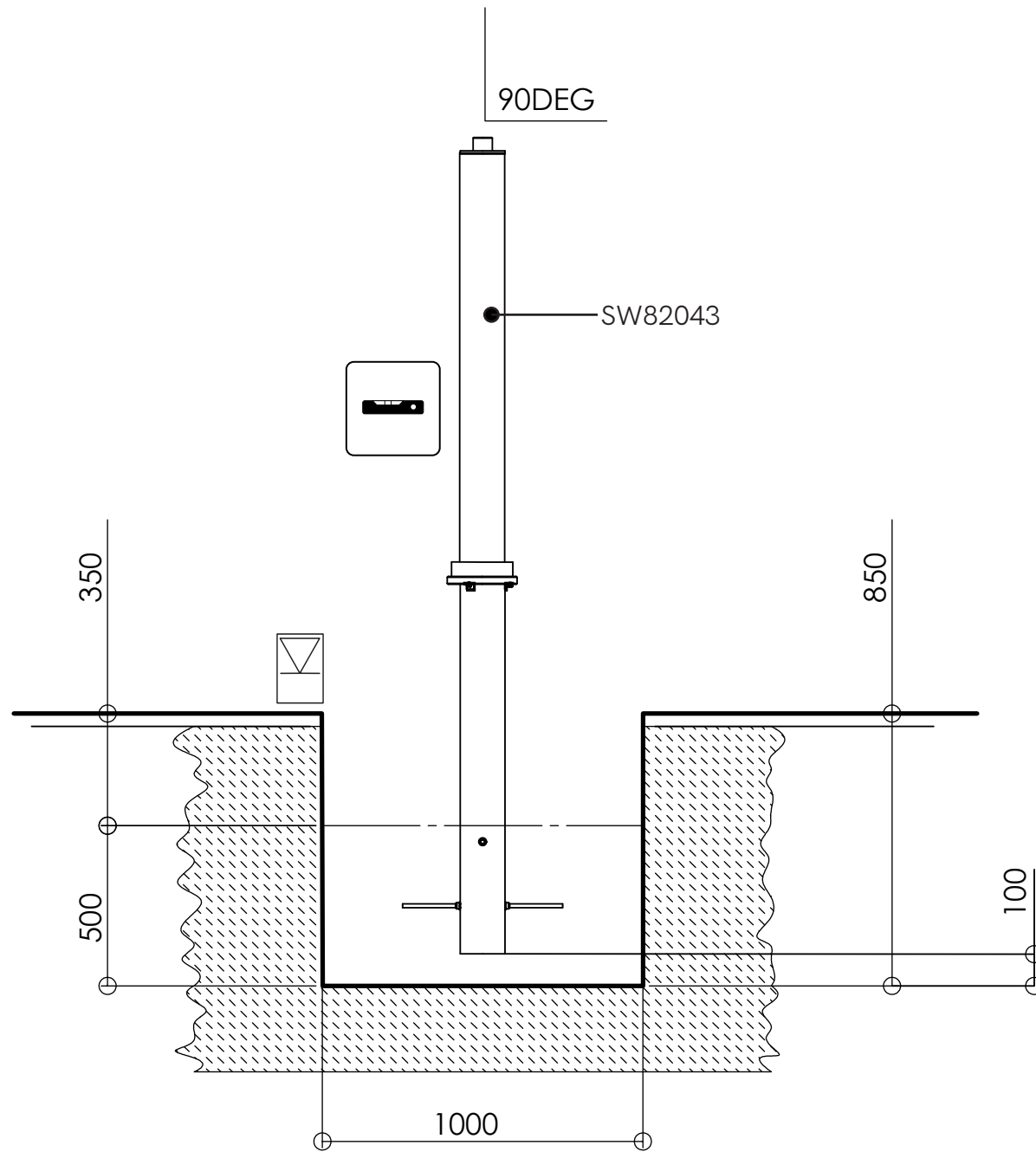
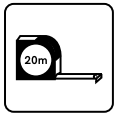


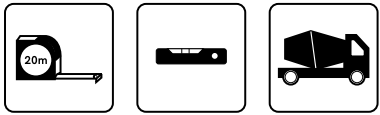
TAY- CC05-CC1800-00



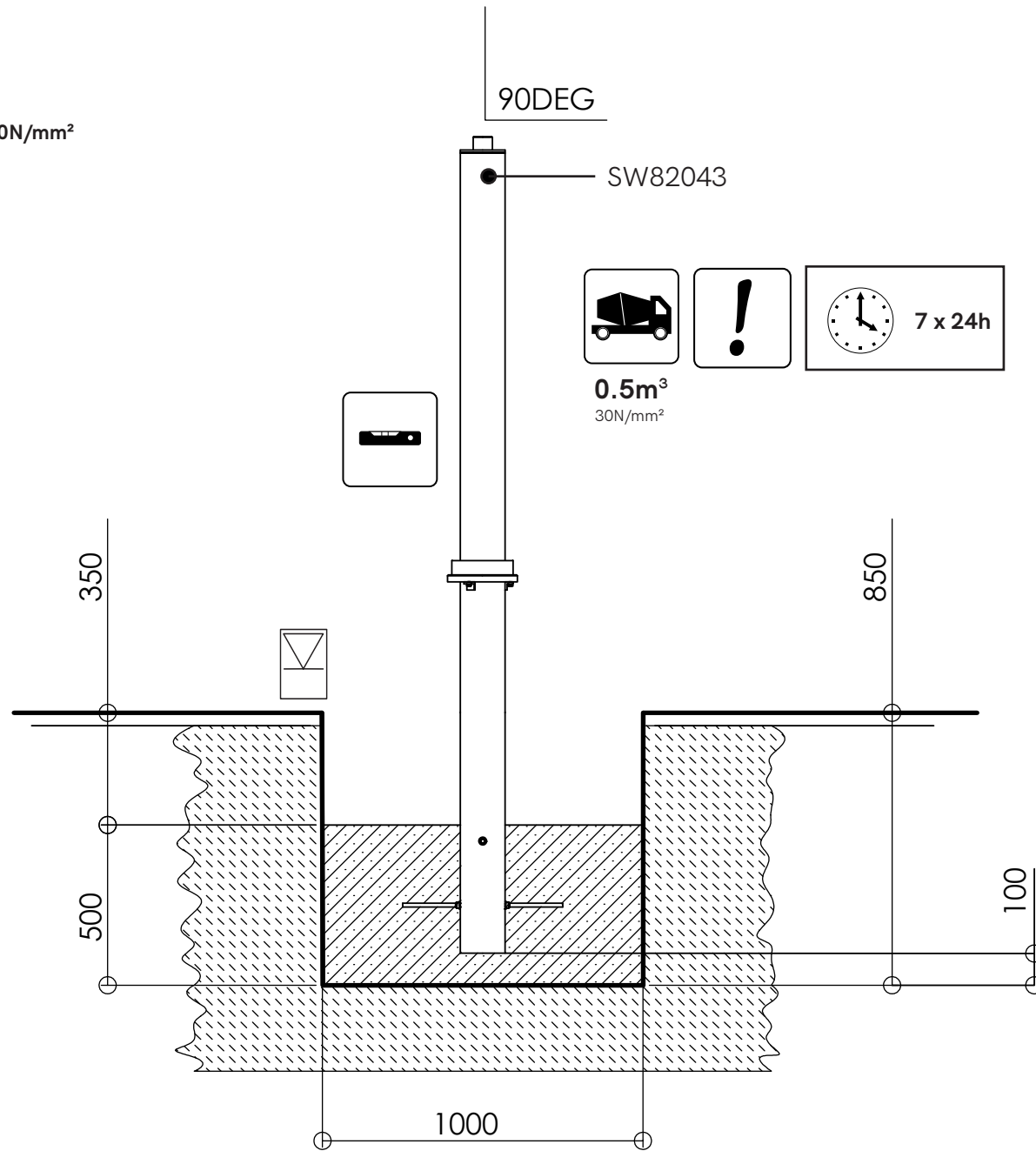
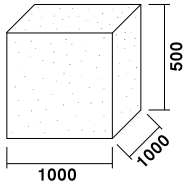


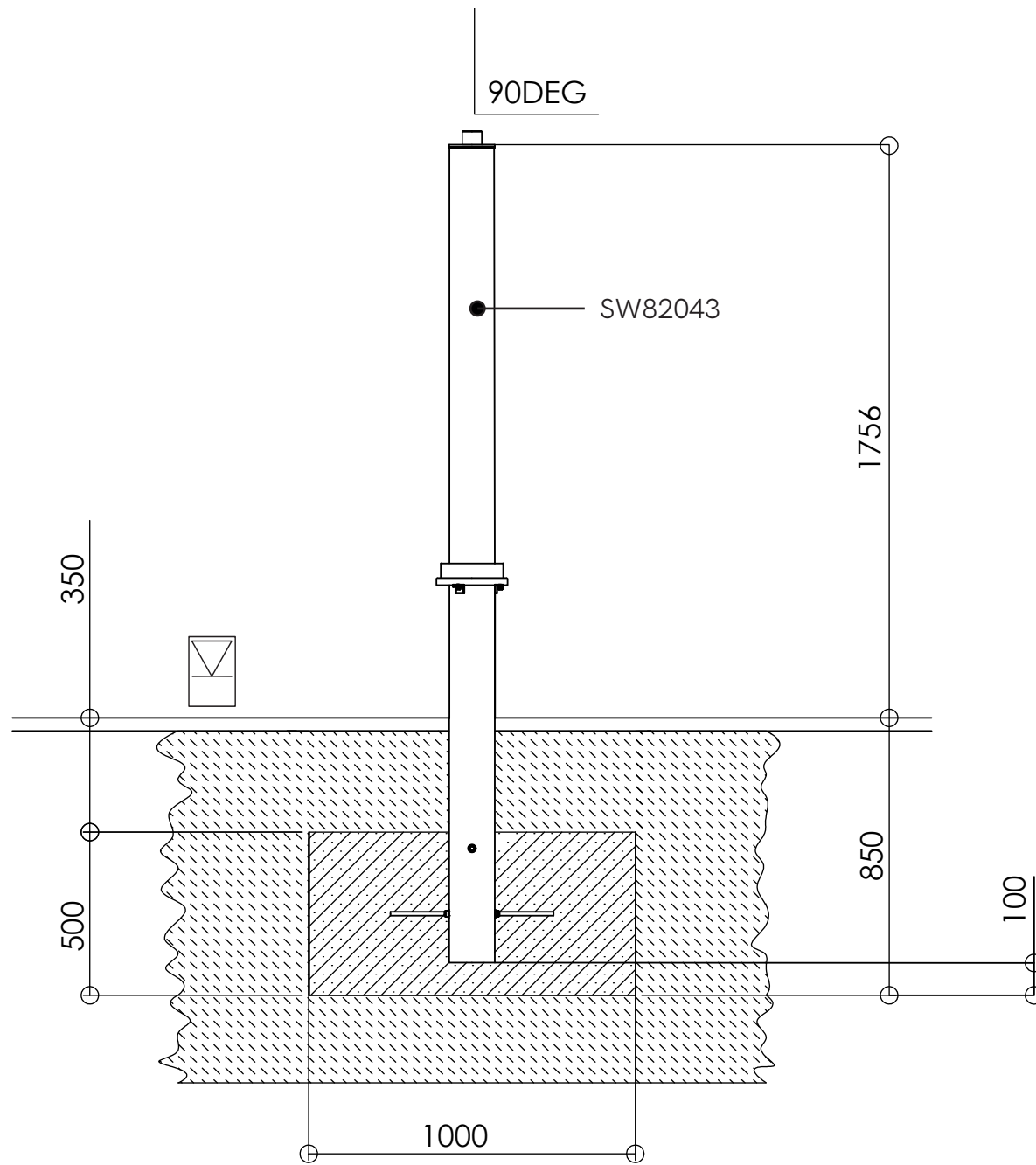


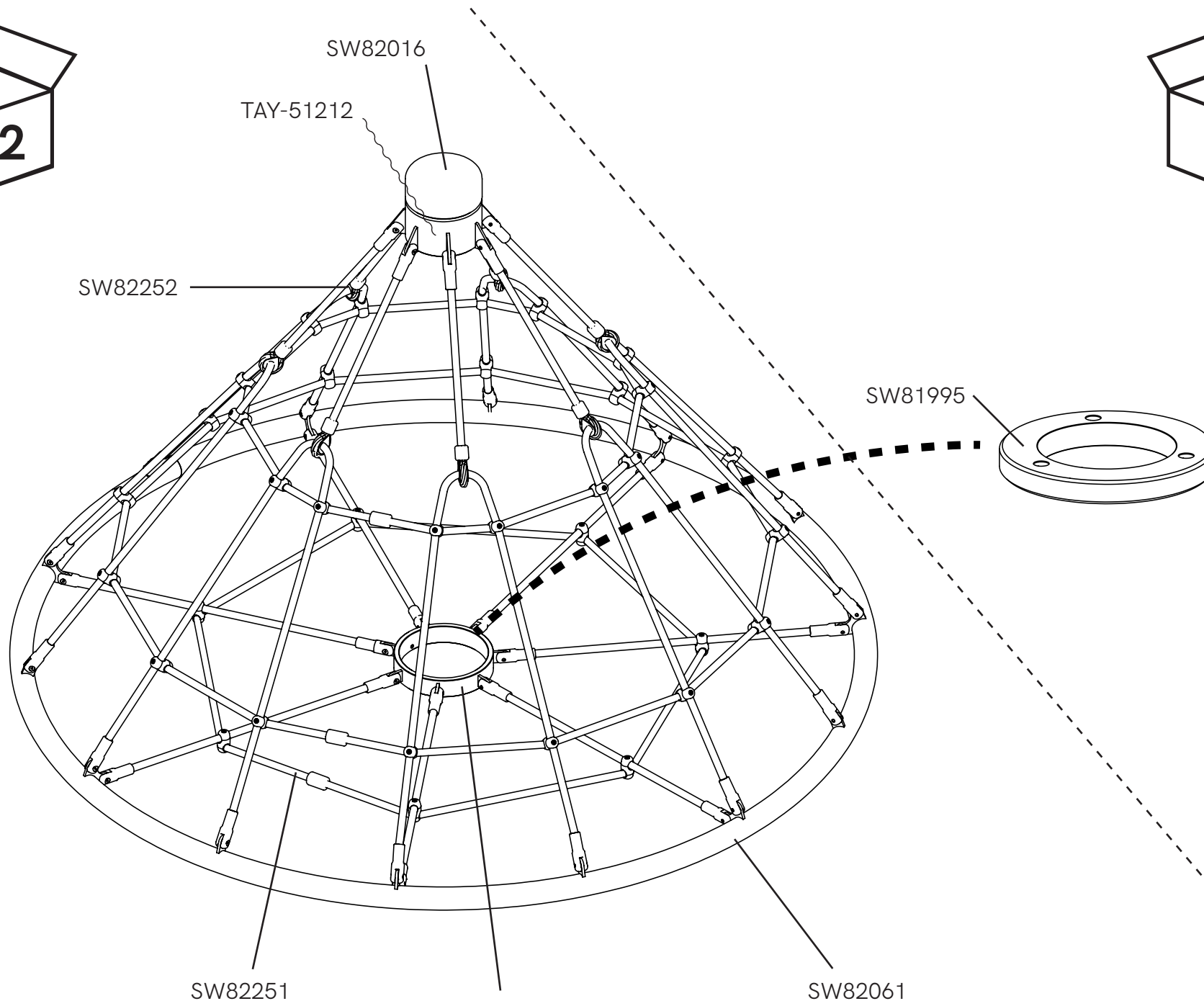
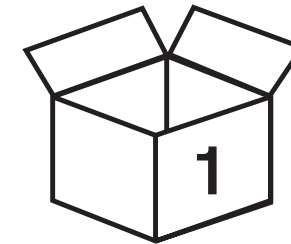
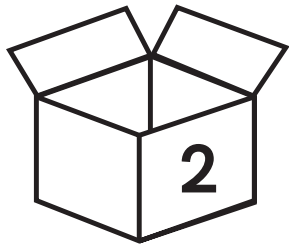





30N/mm²








S12

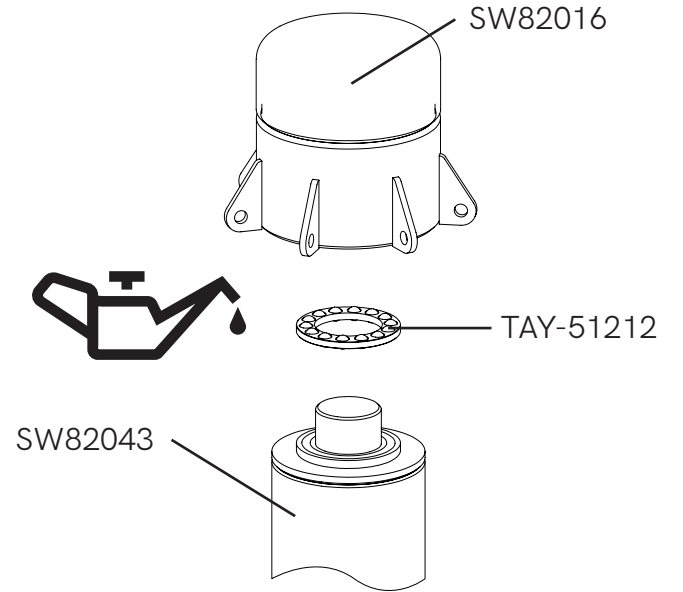
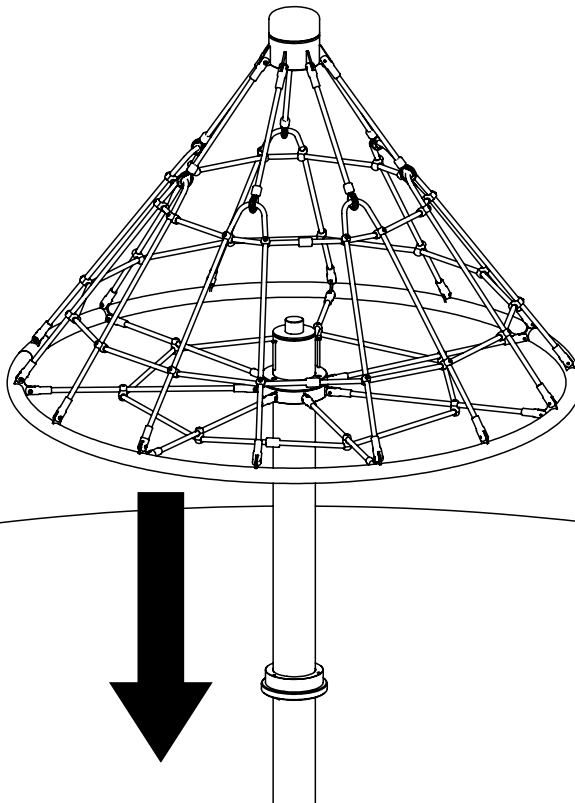


kg
35

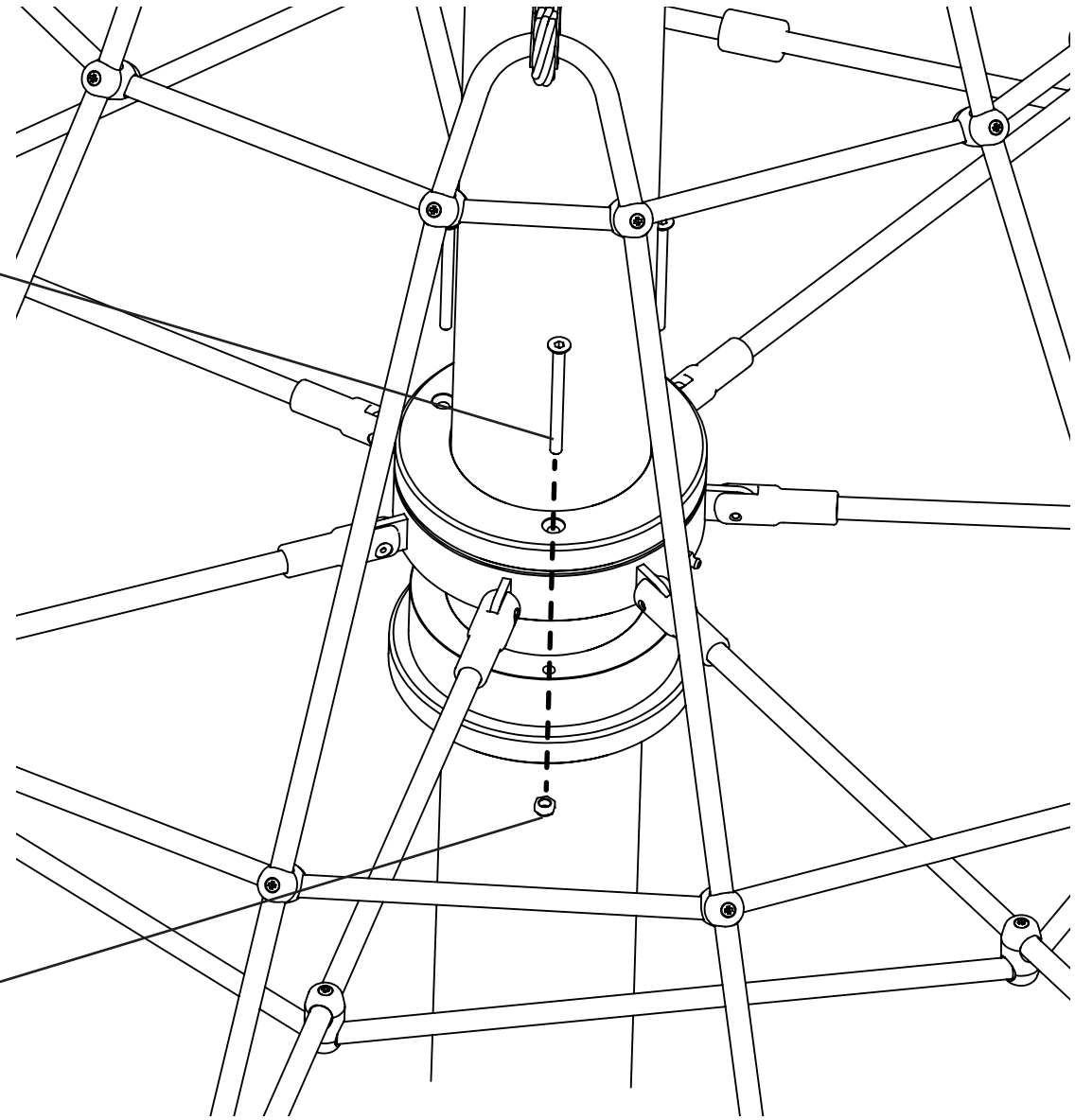
S34



2-3

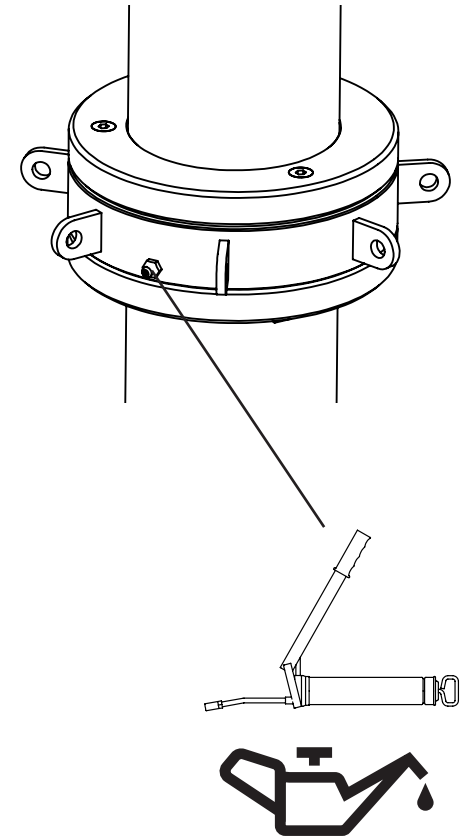
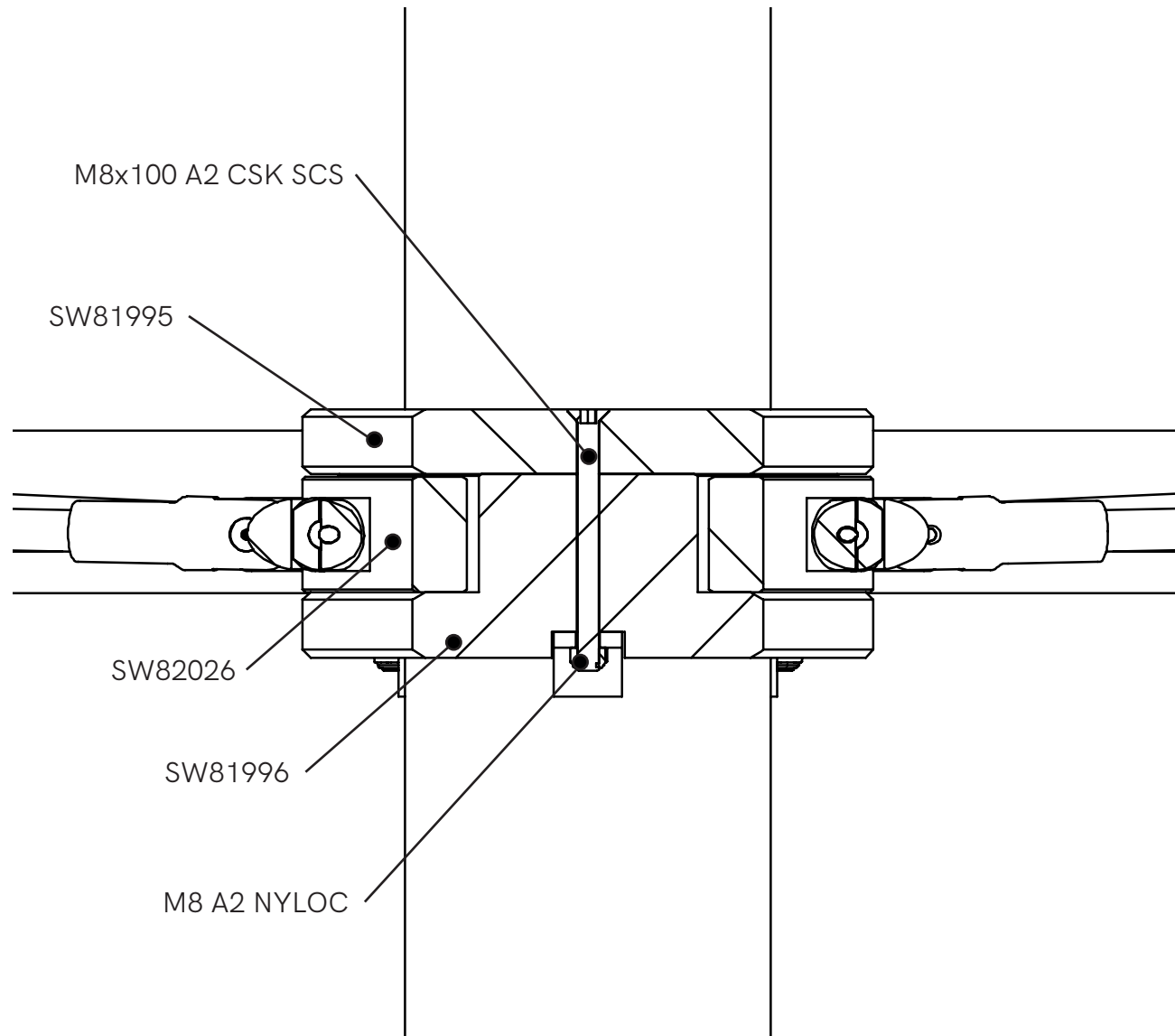


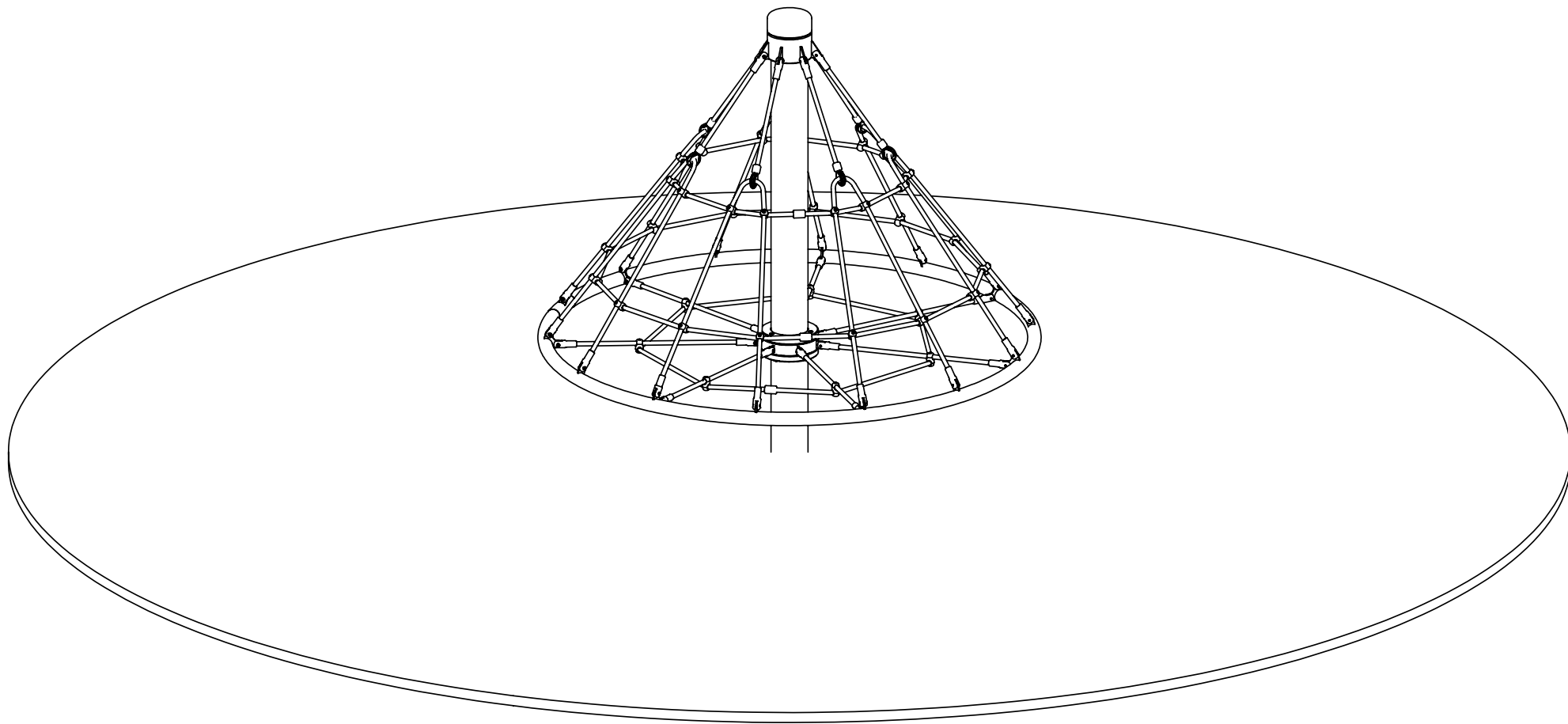
M8x100 A2 CSK SCS



M8 A2 NYLOC









Tayplay Ltd

13A Riverview Business Park
Friarton Road
Perth
PH2 8DF
Scotland

Tel: +44 (0) 1738 449 084
Email: info@tayplay.com
Web: www.tayplay.com

